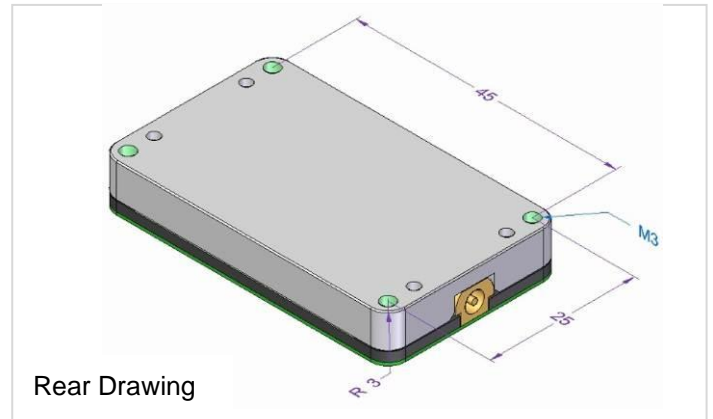
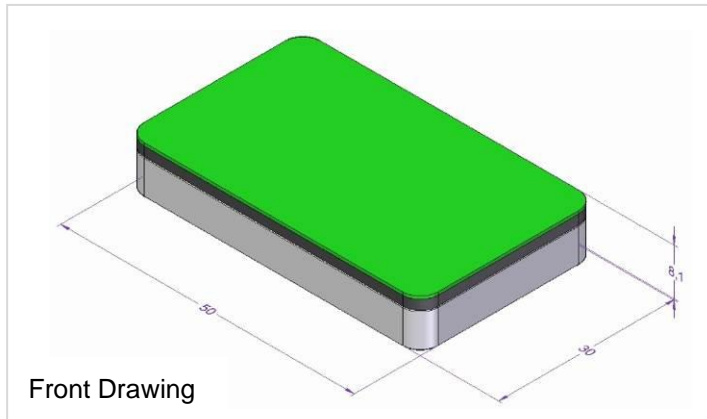
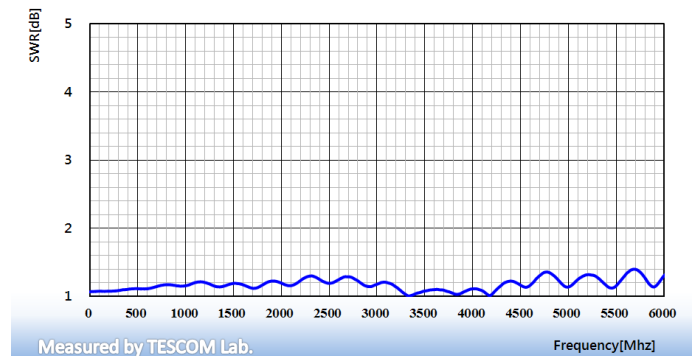


TC-93026A Flat Type Antenna Coupler



Specification

Frequency Range	800 ~ 6000 MHz
RF Connector	MCX(f)
Dimension	50(W) x 30(D) x 8.1(H) mm
Weight	40 g
Terminal	50 ohm
VSWR	better than 1 : 1.7



Typical VSWR of TC-93026A

Ordering Information

Order Number	Description
TC-93026A	Flat Type Antenna Coupler (including accessories below) SS-405, MCX R/A(m)-SMA(m) 40 cm, 4011-0018