



MEB

SHOCKLESS STATIC NEUTRALIZING BAR

The MEB static bar is a very efficient and versatile static eliminator used in a wide variety of applications. Its' small size and ability to fit in tight spaces, makes it a favorite of machine builders.

- Stainless steel construction
- Over 45 bar lengths available from 8" to 144" (custom sizes available)
- Effective for web speeds up to 1200 ft/min
- Mounting of 1" to 3" from target surface
- Universal mounting brackets
- Optional corona-free shielded cable to reduce RFI & EMI and provides simplified cable installation

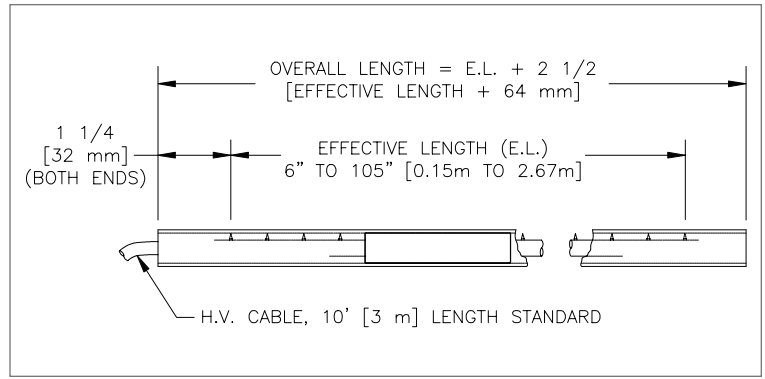




Specifications

Housing	Stainless steel
Inner Bar	PVC
Emitters	302 Stainless steel
Effective length	6" to 141" [152mm – 3581mm]
Overall Length	8.5" to 144" [215mm – 3657mm]
Mounting Distance	1" to 3" from target surface
Maximum Speed (FPM)	1200 FPM
Power Supply	F167, F267, D167Q, D167RY, D257Q, N167 or N267
Approval	CE, CSA, UL, FM

Dimensions



The MEB requires a 7kV power supply for operation, which must be ordered separately (see below).



D167Q Power Supply



F167 Power Supply

Specifications

Input Requirements	D167Q – 120V, 50/60Hz D257Q – 230V, 50Hz
Output Voltage	7 kV, 3mA max
Number of outputs for static eliminators	2
Max Length of static bars which can be attached	200"
Does the unit accept shielded cable	Yes
Acceptable for hazardous locations	No
Approval	CE, CSA, UL

Specifications

Input Requirements	F167 – 120V, 50/60 Hz F267 – 230V, 50/60 Hz
Output Voltage	7 kV, 3mA max
Number of outputs for static eliminators	2
Max Length of static bars which can be attached	200"
Does the unit accept shielded cable	No
Approval	CE, CSA, UL



P/N 5200921 Rev. D
© 2011 Simco-Ion – All rights reserved.
Specifications are subject to change without notice.

Simco-Ion

2257 North Penn Road
Hatfield, PA 19440-1998
Tel: 800.203.3419 (in USA)
Tel: 215.822.6401
customerservice@simco-ion.com
www.simco-ion.com