

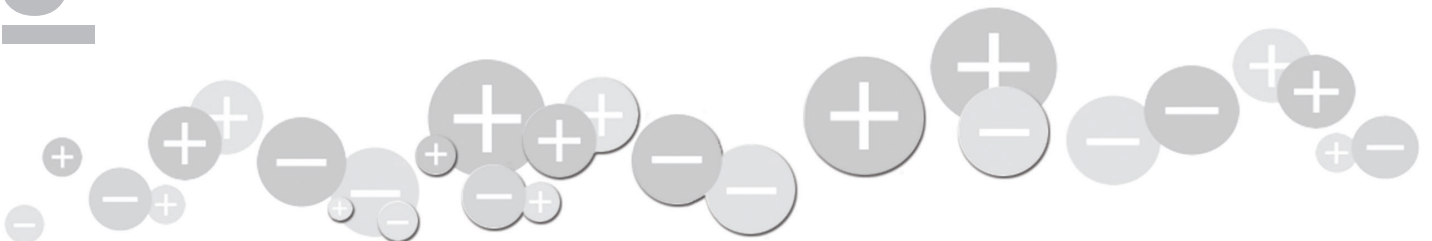


## XP-20F

### HL IONIZING BLOWER

Simco-Ion's XP-20F Ionizing Blowers are highly efficient, extended range static eliminators designed to neutralize static charges on materials in hazardous locations. The XP-20F unit works with Simco-Ion XP and XPM power supplies to eliminate the problems caused by static in rugged industrial environments.

- UL listed for Class I, Division 1 & 2, Group D hazardous areas
- Rugged design as an intrinsically safe unit
- Easy to replace disposable air filters

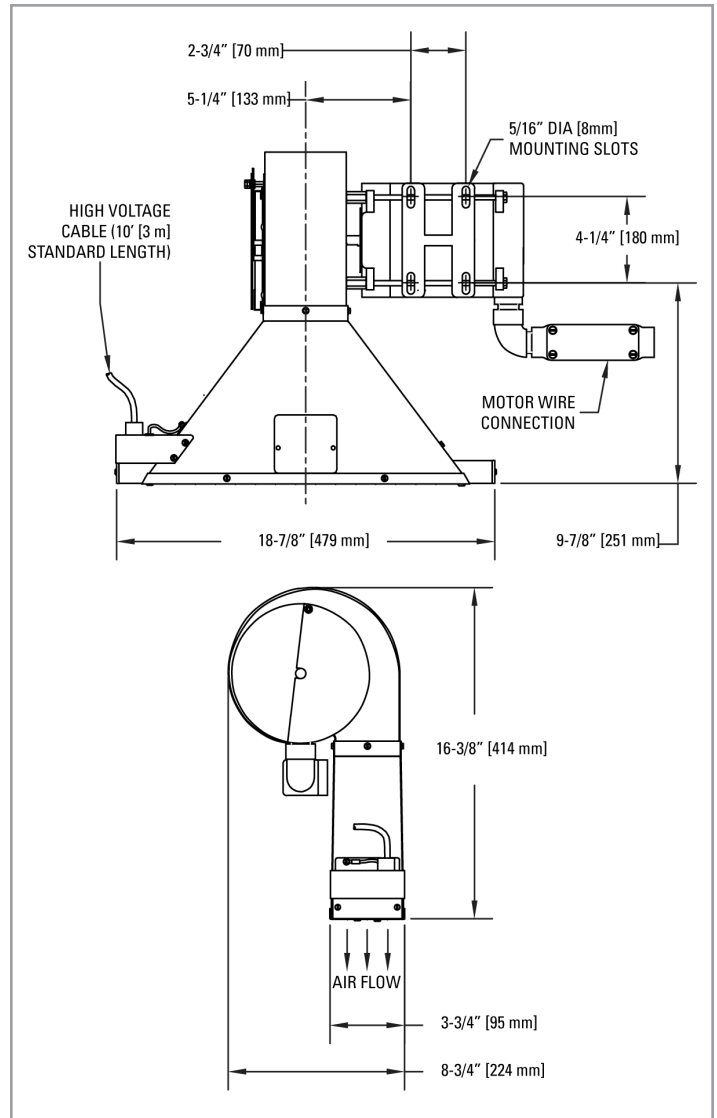


## Specifications

<b>Input</b>	110-119V AC, 57-63 Hz, 1.3A	
<b>Weight</b>	24 lbs, 8 oz	
<b>Size</b>	17.75"W x 9"H x 16.75"D	
<b>Air Volume</b>	285 scfm (fixed)	
<b>Airflow</b>	Distance from Ionizer	FPM
	1'	1000
	2'	500
	4'	200
	(measured at centerline of airstream)	
<b>Temperature</b>	32-104°F	
<b>Enclosure</b>	Steel housing, phenolic inner bars and supports, stainless steel emitter pins	
<b>Filter</b>	Replaceable Foam Filter	
<b>Approval</b>	UL/ETL Certified for Class 1, Div 1, Group D*	

\* OSHA stipulates that all electrical equipment (used in the workplace) be tested and approved by a Nationally Recognized Testing Laboratory (NRTL) accredited by OSHA. UL® and ETL certifications are approved NRTLs in the USA. ATEX certified equipment is not approved by OSHA for use in the USA.

The XP-20F Ionizing air blower is designed specifically for use in Class I, Division 1, Group D, hazardous areas where the neutralization of static charges is critical for both personnel and environmental safety. The XP-20F unit can be powered by Simco-Ion's non-incendiary power supply mounted within the hazardous area or an appropriate Simco-Ion power supply mounted, outside the hazardous area, according to local code restriction. The XP-20F Ionizing Blower should not be mounted with the motor shaft vertically upward.



## Ionization Characteristics

Distance from Blower	Decay Time
1'	0.9 sec
2'	2.4 sec
3'	4.8 sec
4'	7.5 sec
5'	9.2 sec

### Notes:

1. For 6" x 6", 17 PF isolated metal plate charged to +5 kV.
2. Decay times listed above are averages of + and - charges.

## Time vs. Distance for Effective Neutralization

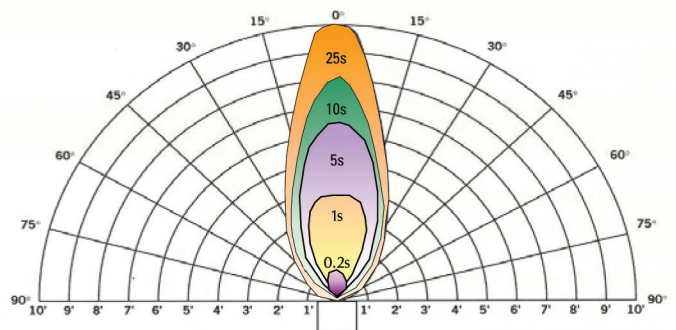


Chart indicates approximate times required for XP-20F to discharge a plastic sheet charged to 10 kV.

**SIMCO ION**<sup>TM</sup>  
An ITW Company

### Simco-Ion

2257 North Penn Road  
Hatfield, PA 19440-1998  
Tel: 800.203.3419 (in USA)  
Tel: 215.822.6401

P/N 5200457 Rev. E  
© 2019 Simco-Ion - All rights reserved.  
Specifications are subject to change without notice.

customerservice@simco-ion.com  
www.simco-ion.com