



MICROSCOPE SPECIFICATION SUMMARY

Product Name	Model No.	Magnification	Objective	Eyepiece	Working Distance	Eyepiece Angle	Eyepiece Width adj. Range	Lighting	Base Dimensions	Diopter adj. Range	Stand
ZOOM STEREO MICROSCOPE	XTS2021	6.5x~45x 13x~90x	0.65x~4.5x (Zoom Ratio 1:7)	WF10x (Field of View 20mm)	95mm	45°	55~75mm	Epi-illumination (Halogen Bulb:6V 15W) Transmitted Illumination (5W Fluorescent Bulb)	245x190x60mm	±5° diopter	Rack and Pinion
	XTS-SP2			WF20x (Field of View 10mm)				RK-9 Ring Light Included ※Attachment Size: φ48mm	245x170x40mm		Pole Stand (φ25mm)
	XZ-34	7.5x~34x	0.75x~3.4x (Zoom Ratio 1:4.5)	WF10x (Field of View 19mm)	90mm			Optional Ring Light Sold Separately ※Attachment Size: φ50mm	250x210x21mm		Pole Stand (φ30mm)
VARIABLE POWER STEREO MICROSCOPE	XT-2040	20x 40x	2x 4x		105mm			Optional Ring Light Sold Separately ※Attachment Size:48mm	280x270x28mm		Pole Stand (φ30mm)
VARIABLE POWER TURRET STYLE STEREO MICROSCOPE	XTDB-SP2N	10x 30x	1x 3x	WF10x (Field of View 20mm)	100mm			RK-9 Ring Light Included	255x200x20mm		Pole Stand (φ32mm)

ZOOM STEREO MICROSCOPE



STEREO MICROSCOPE

FIBER SCOPE

TECHNO-ENDOSCOPE

CIRCLE SCOPE

MICRO SCOPE

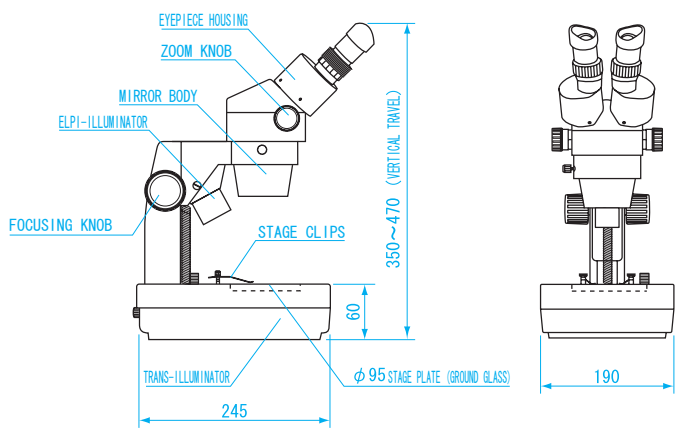
INSPECTION MIRROR

MAGNIFIER



DIMENSIONS

Units : mm



FEATURES

- Ideal for inspection of semiconductors, electronics, and precision parts
- Zoom stereoscopic microscope

Order No.	Model No.	Magnification	Objective	Eye Piece	Working Distance	Focus Adjustment	Eye Width Adjustment	Eye Piece Inclination	Diopter Adjustment Range	Stand	Lighting System	Weight
140003	XTS2021	6.5~45x 13~90x	0.65~4.5x (Zoom Ratio1:7)	WF10x (FOV20mm) WF20x (FOV10mm)	95mm	Main body vert. position control	55~75mm	45°	±5 diopter	Rack & Pinion	Epi-fluorescence ---6V·15W Transillumination ---5W	5.7kg