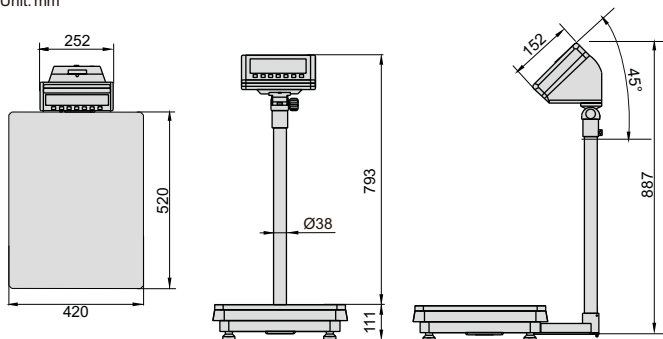


PLATFORM SCALES

- LCD large screen display with LED backlight
- Weighing, overweight alarm, counting, keyboard lock, accumulating, auto zero, animal scale
- Units : kg, g, lb, oz

Unit: mm



DATA
OUTPUT

8501-AL150

SPECIFICATION

Code	8501-AL60	8501-AL150	8501-AL300
Maximum capacity	60kg	150kg	300kg
Minimum capacity	100g	200g	400g
Division	5g	10g	20g
Verification interval	5g	10g	20g
Operating temperature	-10~40°C		
Material	platform: stainless steel, base: die-cast aluminum		
Dimension of platform	420mm×520mm		
Power	rechargeable lead acid battery(6V/4Ah)		
Output	RS232		
Weight	18.3kg		



printer (optional)

OPTIONAL ACCESSORY

Printer	8001-PRINTER
---------	--------------