



Edge Cutting Pliers

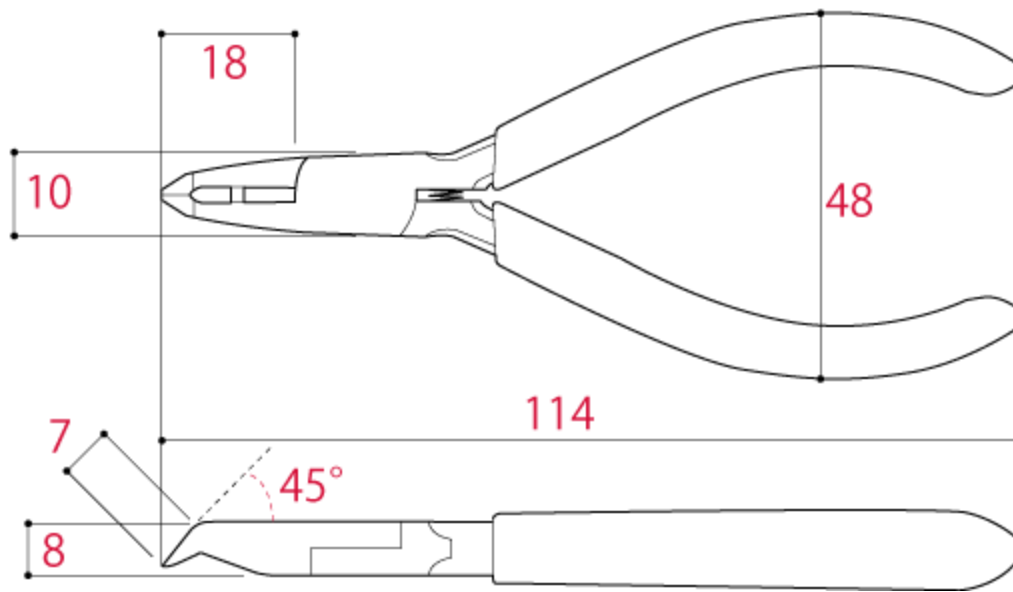
115mm MEN-115 Spring



- Edge on the tip of slender head is suitable for fine works.
- For cutting the smallest target like etching parts.
- 45° angled head is ideal for cutting protruding lead wires on printed circuit board.
- Jaw inside pin guides the edge to precise position.

Specifications

- Material | Alloy steel
- Heat Treatment | Oxide-free heat treatment, Induction hardening on edge
- Edge hardness [HRC] | 58~64
- Spring | Coil spring
- Handle cover | PVC dipping
- Surface treatment | Anti-rust oils



	Size[mm]							Weight [g]	EAN-code (4952269)
	Overall length	Head width	Head thickness	Handle width	Nose length	Edge length	Head angle		
MEN-115	114	10	8	48	18	7	45°	60	401226

Cutting capacity (φmm)	Plastic	Soft iron	Copper	Brass	Stranded copper wire [mm ²]
MEN-115	2.0	0.9	1.2	1.0	1.25

Note: Do not use to cut harder wire or anything above it rated the capacity.