



Plastic Cutting Pliers

125mm PN-125 / 150mm PN-150 / 175mm PN-175 Spring

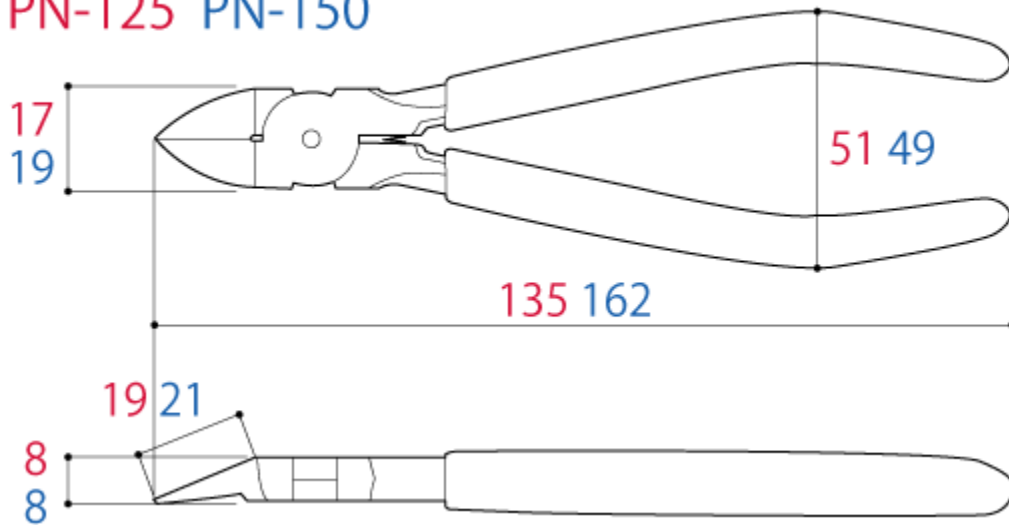


- Light weight and sharp edge reduce fatigue of continuous cutting work.
- Flat blade is suitable for cutting targets on the curved surface.

Specifications

- Material | Alloy steel
- Heat Treatment | Oxide-free heat treatment, Induction hardening on edge
- Edge hardness [HRC] | 58~64
- Spring | Coil spring
- Handle cover | PVC dipping

PN-125 PN-150



	Size[mm]					Weight [g]	EAN-code (4952269)
	Overall length	Head width	Head thickness	Handle width	Edge length		
PN-125	135	17	8	51	19	90	107012
PN-150	162	19	8	49	21	110	107029
PN-175	190	22	11	52	24	220	107036

Cutting capacity (φmm)	Plastic	Copper	Stranded copper wire [mm ²]
PN-125	5.0	-	-
PN-150	5.0	-	-
PN-175	6.0	2.0	5.5

Note: Do not use to cut harder wire or anything above it rated the capacity.