



## Stainless Cutting Pliers Bent-type

125mm SNB-125 Spring



- Newly developed patented spring works as a locker preventing the head of pliers opening during in your tool box.
- Suitable for cutting thin soft metal wire such as copper, aluminium and brass. For electronic works, accessory making and so on.
- Bent head is suitable for works in complicated machinery.
- Flat edge can cut target cleanly.
- Made of high quality stainless. Hardly get rusty.

# Newly developed spring with LOCK FUNCTION! PAT.

KEEP CLOSED  
IN YOUR  
TOOL BOX!



Stainless Pliers with Lock Spring Series : 6 type 7 items are available.



SPN-125  
Stainless Cutting Pliers for Plastics



SCN-125/140  
Stainless Cutting Pliers (125mm/140mm)



SSN-125  
Stainless Cutting Pliers Slender-type



SNB-125  
Stainless Cutting Pliers Bent-type



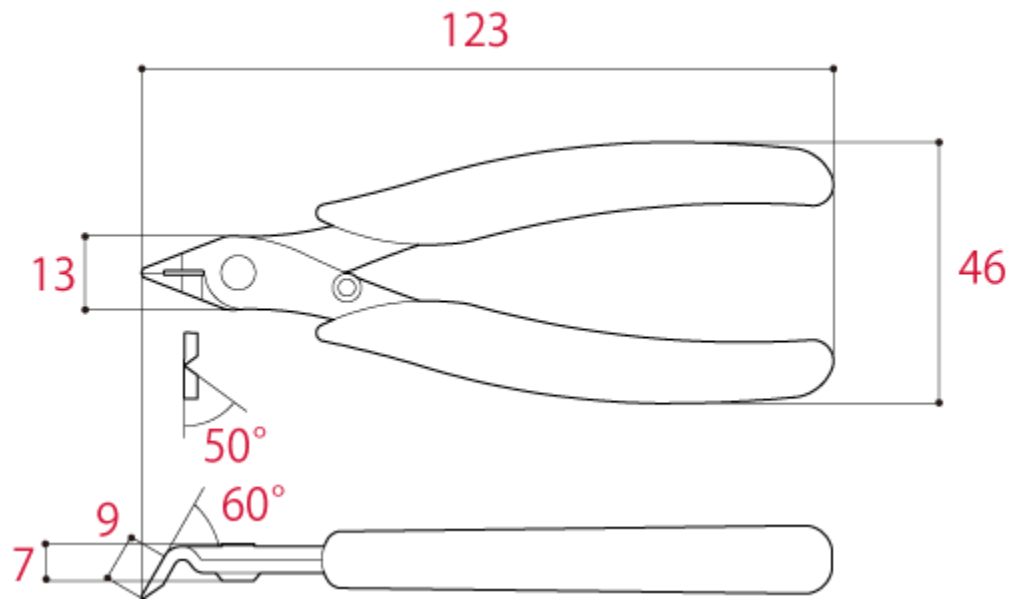
SCP-140  
Fine Nose Lead Pliers



SPB-140  
Bent Nose Lead Pliers

## Specifications

- Material | Stainless
- Edge hardness [HRC] | 49~55
- Spring | Spring with lock function (PAT.)
- Handle cover | Molded elastomer grips



	Size(mm)							Weight (g)	EAN-code (4952269)
	Overall length	Head width	Head thickness	Handle width	Edge length	Sharpening angle	Bent angle		
SNB-125	123	13	7	46	9	50°	60°	50	113617

Cutting capacity (mm)	Plastic	Soft Iron	Copper	Aluminium	Brass	Strand wire
SNB-125	3.0	0.6	1.6	1.6	1.0	1.25mm <sup>2</sup>

Note: Do not use to cut harder wire or anything above it rated the capacity.