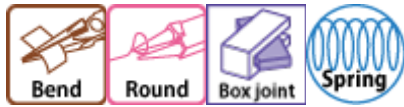




Round Nose Pliers

130mm TM-09 Spring BOX JOINT

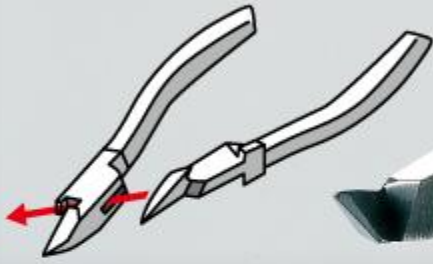


- Rounding wires for jewelry making.
- Precise corn is ideal for detailed works.

Features of Trinity series products

Trinity

Long-life & high durability
Box joint structure



Adjustable & durable
Leaf springs

Even if jaw opened fully, leaf spring does not broken like a coil type spring. Also the resilience can be adjusted to your preference.

Double molded
Elastomer resin cover

Originally developed cover shape fits the hand and reduce fatigue of works. Using Eco-friendly burnable material.



Box joint

Long-life stability, none-backlash.

Leaf springs

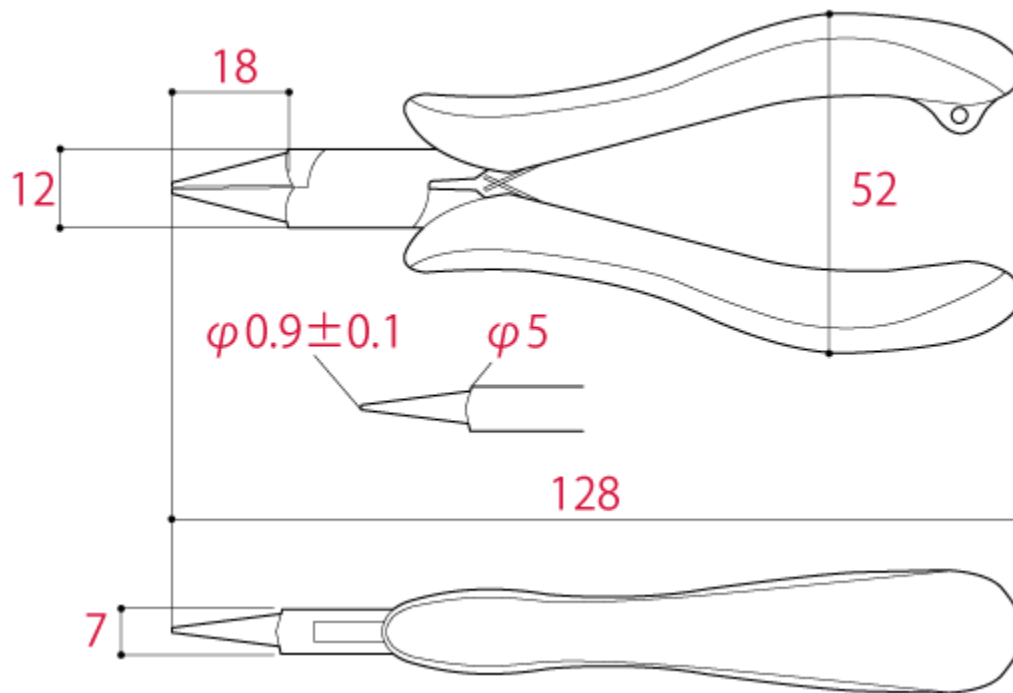
Long-life and high durability. Adjustable resilience.

Comfortable elastomeric double molded resin grips

Using eco-friendly elastomer resin which does not emit dioxin when it is burned. Original designed grip realized ideal weight balance and work efficiency improvement.

Specifications

- Material | Alloy steel
- Heat Treatment | Oxide-free heat treatment
- Hardness | 42~50
- Spring | Leaf springs
- Handle cover | Elastomeric double molded resin grips



	Size[mm]							Weight [g]	EAN-code (4952269)
	Overall length	Head width	Head thickness	Handle width	Corn length	Tip diameter	Basement diameter		
TM-09	128	12	7	52	18	0.9±0.1	5	65	110302