



## Wire Rope Cutter

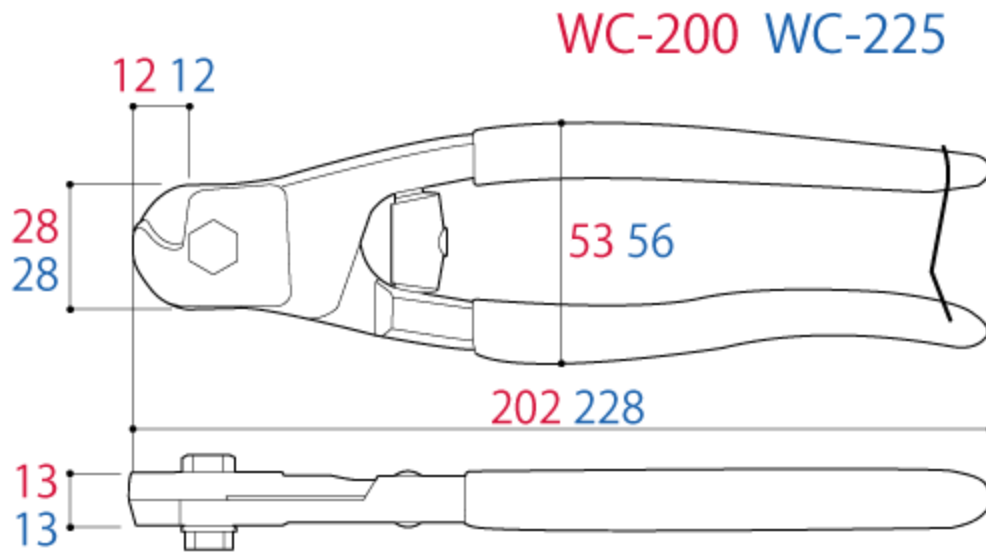
200mm WC-200 / 225mm WC-225 Spring



- Cutting wire rope cleanly, without becoming loose.
- With one hand, cutting  $\phi 5\text{mm}$ (WC-200) or  $\phi 6\text{mm}$ (WC-225) of iron wire rope.

### Specifications

- Material | Alloy steel
- Heat Treatment | Induction hardening on edge
- Edge hardness [HRC] | 54~64
- Spring | Volute spring
- Handle cover | PVC dipping



	Size[mm]					Weight [g]	EAN-code (4952269)
	Overall length	Head width	Head thickness	Handle width	Nose length		
WC-200	202	28	13	53	12	345	108125
WC-225	228	28	13	56	12	390	113433

Cutting capacity (φmm)	Wire rope (Iron)	Wire rope (Stainless)
WC-200	5.0	4.0
WC-225	6.0	5.0

Note: Do not use to cut harder wire or anything above it rated the capacity.