



Crimping Tool For Non-Insulated Terminals

TP-38 Capacity IEC/DIN:10/16/24/35mm² AWG:8/6/4/2 JIS:8/14/22/38mm² JIS



MADE IN JAPAN

For Non-Insulated Terminals

For E-Type Sleeve Terminals

CRIMPING TOOL

TP-2 TP-8 TP-8P TP-14
TP-5 TP-5M TP-5S TP-3

TP-R

SAFE & SECURE! SPEEDY CRIMPING

Temporary Holding



ALL TESTS PASSED

- Continuous durability test 30,000 times
- Tensile test
- Salt water spraying
- Heat aging
- Electrical resistance
- Vibration fatigue



JBA

JIS C 9711
JQ0314008



Temporary holding function

Cables can be inserted smoothly into terminals due to the deformless temporary holding function.



Tsunoda

*Temporary holding function is not loaded on TP-2



Both side colored size marks

Colored size marks help you to check the size of crimping die even in the room where is insufficiently lighted and improve your work efficiency.



Toggle mechanism

Reducing required loads for each stroke of gear.

Crimp completion checking function

Handles don't open until crimping done.



Clear crimped mark!

Molded elastomer resin cover

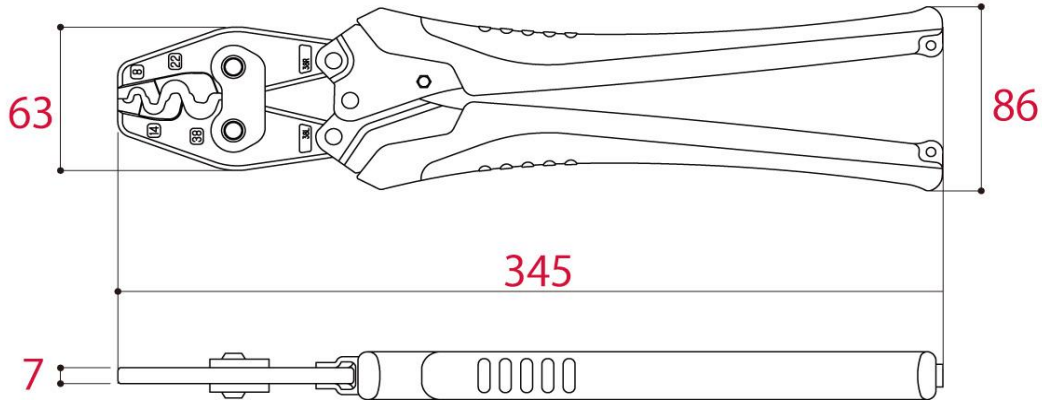
Soft texture elastomer grip reduces fatigue of Continuous crimping works.

Crimping Tool Usable Terminals

Terminal (mm)	0.3	0.5	1.25	2.0	3.5	5.5	8.0	14.0	22.0	38.0
TP-2 (JIS)			○	○						
TP-3		○	○	○	○					
TP-5 (JIS)			○	○		○				
TP-5S		○	○	○	○					
TP-5M			○	○	○	○				
TP-8 (JIS)			○	○		○	○			
TP-8P (JIS)			○	○		○	○			
TP-14 (JIS)			○	○		○	○	○		
TP-22 (JIS)						○	○	○	○	
TP-38 (JIS)							○	○	○	○
TP-R (JIS)										E-L · E-M · E-S

Specifications

- Material | Alloy steel
- Head hardness [HRC] | 42~46
- Handle part hardness [HRC] | 46~49
- Handle cover | Elastomeric molded resin grips



	Size[mm]				Weight [g]	EAN-code (4952269)
	Overall length	Head width	Head thickness	Handle width		
TP-38	345	63	7	86	760	114270

Terminal Size			
JIS standard mm ²	IEC · DIN standard mm ²	American Wire Gauge	Crimped Mark
8	10	8	8
14	16	6	14
22	24	4	22
38	35	2	38